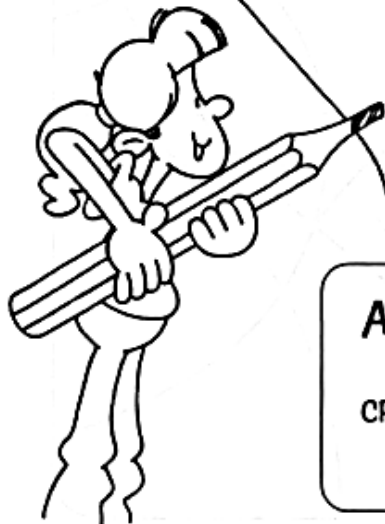
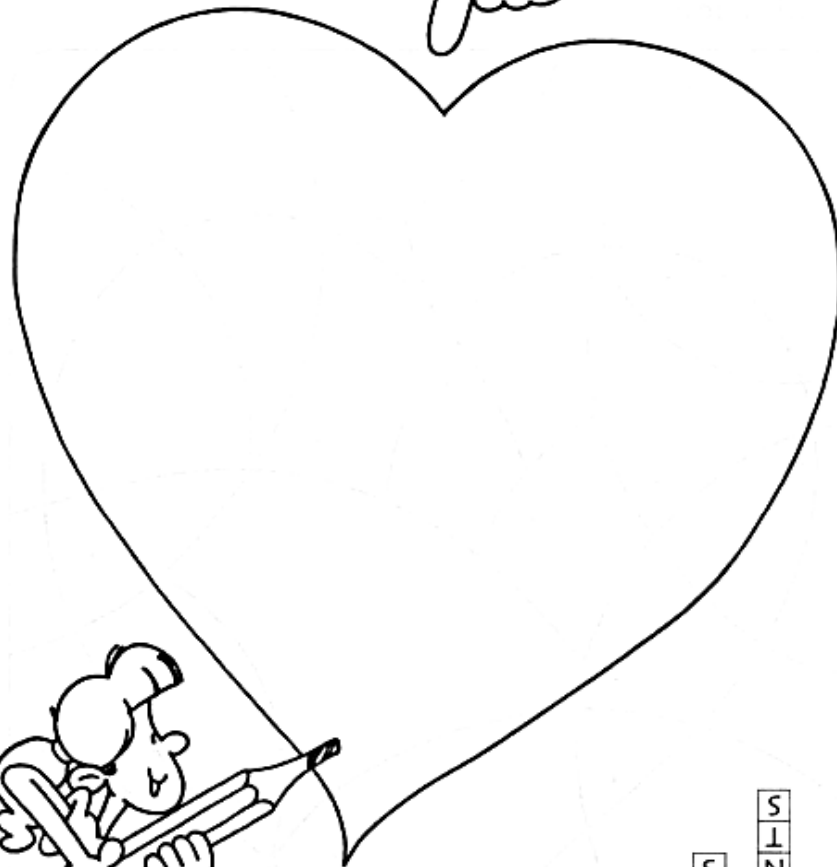


SOMETHING to DRAW

Inside this heart, draw some ways to honor Jesus.

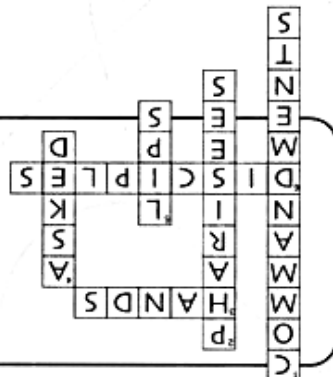


Jesus will help you honor Him inside your heart. Ask Him!



ANSWERS

CROSSWORD PUZZLE



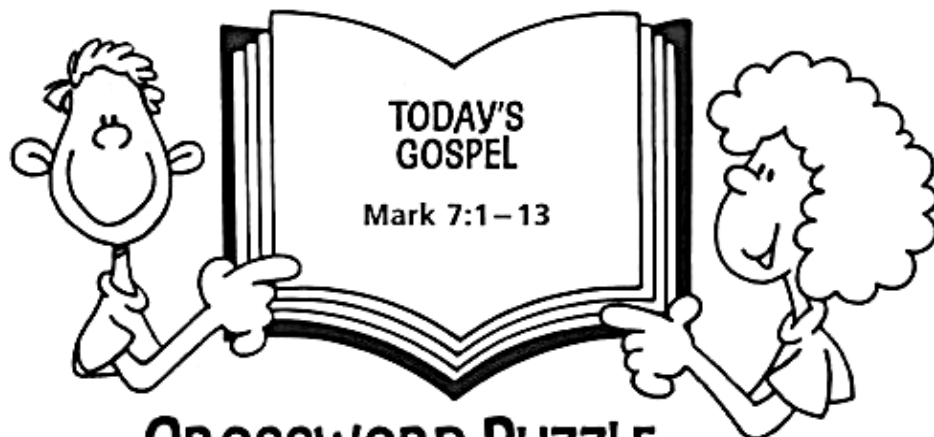
13th Sunday after Pentecost



The Pharisees and the scribes asked Him, "Why do Your disciples not walk according to the tradition of the elders?"

Mark 7:5

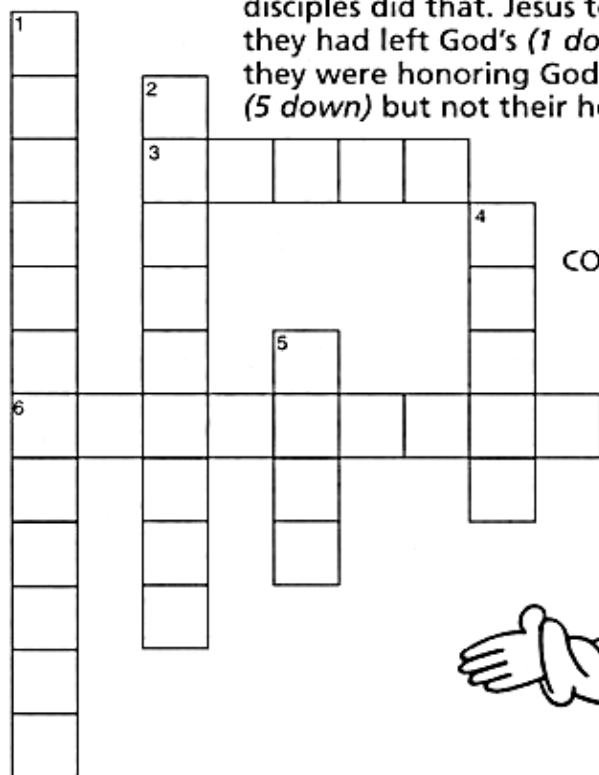
NAME: _____



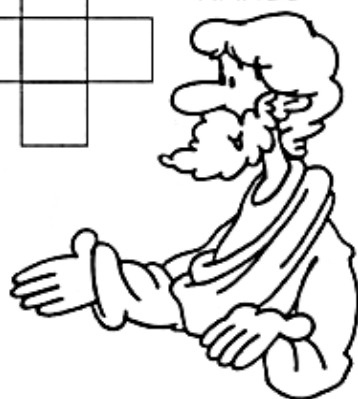
CROSSWORD PUZZLE

Try to fit words from today's Gospel into the crossword puzzle. (If you need help, use the word list.)

Some (2 down) and scribes saw Jesus' (6 across) eating with unwashed (3 across). They (4 down) Jesus why His disciples did that. Jesus told these men they had left God's (1 down). He said they were honoring God with their (5 down) but not their heart.



WORD LIST
 DISCIPLES
 PHARISEES
 COMMANDMENTS
 LIPS
 ASKED
 HANDS



HIDDEN PICTURE

Jesus said that some people are far from Him in this place. To find out where, color the spaces with dots.

